

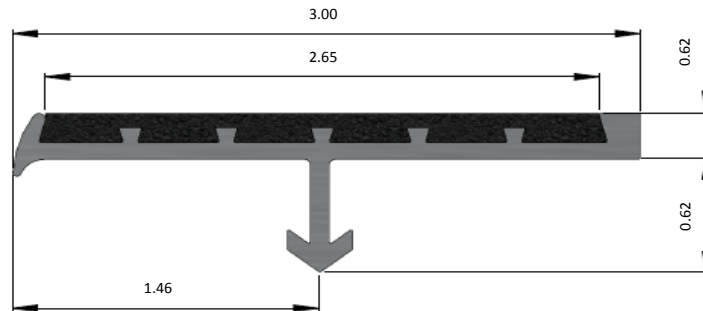
BOLD STEP® Anchor Nosings & Treads

BOLD STEP® Anchor Systems can be used for poured & precast concrete, steel-pan cement filled stairs and terrazzo stairs.

BOLD STEP® is an aluminum extrusion inlayed with our proprietary mineral abrasive anti-slip epoxy-filler offered in a variety of colors and sizes. Either used in new construction or renovation projects, our nosings and treads deliver maximum safety and durability while providing a look to compliment today's building designs.

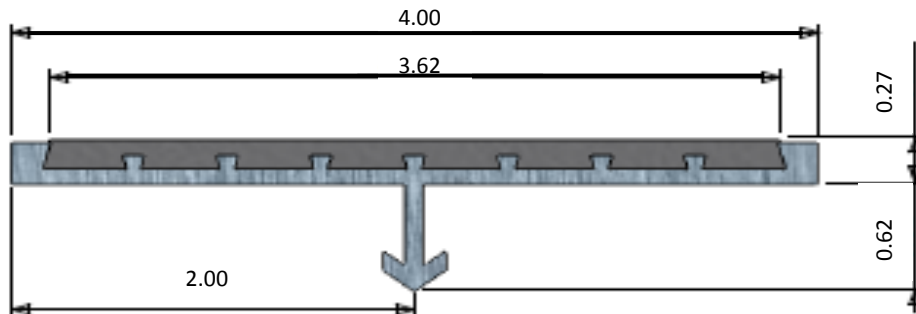
3" Bullnose

403AB1



4" Straight Edge

404AF1



Sure-Foot Item #	Description	
403AB1	3" Bullnose with Anchor	Specify Color & Length up to 120"
404AF1	4" Straight Edge with Anchor	Specify Color & Length up to 120"
GREY • RED • BROWN • YELLOW • GLOW • BLACK • BLUE • DARK GREEN		

Sure-Foot Industries Corp. • 20260 First Ave. • Cleveland, OH • 44130
800-522-6566 • www.surefootcorp.com

BOLD STEP®



INSTALLATION

Avoid the use of very large aggregate in concrete mix. Avoid using concrete with very low slump.

BOLD STEP® Anchor treads must be in place before initial set of concrete occurs.

Schedule pours to ensure quick and smooth installation.

Puddle the concrete; tamp the nosing in to ensure the concrete forms properly around the anchor.

Close stairway for 24 hours after pour.

MAINTENANCE

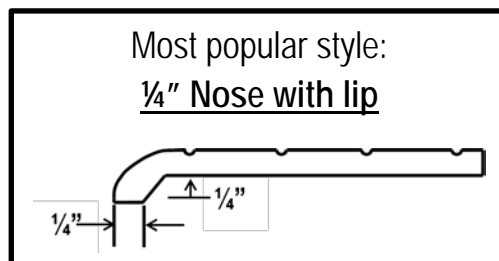
Epoxy surface can be swept to loosen and remove dirt. Treads can be cleaned using a general purpose industrial floor cleaner. For caked on dirt, use a stiff bristled brush with industrial cleaner. Treads can be pressure sprayed up to 1000 psi.

ARCHITECTURAL SPECIFICATION

All aluminum treads shown in the finish schedule or listed in this specification shall be **BOLD STEP®** stair nosings as furnished by **Sure-Foot Industries Corp.** located in Cleveland, Ohio. Products shall be constructed of heat treated exterior grade 6063 T5 aluminum and filled with chemical resistant closed cell anti-slip epoxy coating combined with mineral abrasive grits which are uniform through-out providing anti-slip properties. Shall be constructed of first quality materials and will be smooth, free of imperfections which detract from its appearance and contain no asbestos fiber. BOLD STEP® stair treads shall be a minimum of 0.25" (6.35 mm) nominal thickness, _____" (____mm) in nominal depth, _____" (____mm) in nominal length, in either single color or color combinations stated and shall conform to industry standards.

INQUIRE ABOUT BOLD STEP® CAST ABRASIVE NOSINGS FOR ARCHITECTURAL INSTALLATIONS

BOLD STEP® Cast Treads are non-corrosive, attractively designed and will virtually last the life of the building.
Available in cast aluminum and cast iron.



Sure-Foot Industries Corp. • 20260 First Ave. • Cleveland, OH • 44130
800-522-6566 • www.surefootcorp.com